

AW-D138C-4W is a smoke with fixed temperature and rate-of-rise heat detector. The detector uses an optical sensing chamber to detect smoke and a fixed-temperature heat sensor to detect heat from fire. It is designed to provide open area protection.

The red LED on the detector provides a local 360° visible alarm indication.

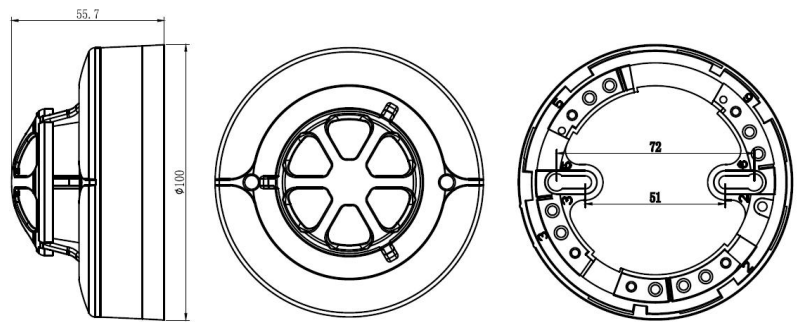
The detector that initiated the alarm condition will have its red LED and relay latched until reset by panel.



## Features

- ✓ Low Standby current for continuous monitoring
- ✓ Relay output
- ✓ Dual LED design provides 360° viewing angle
- ✓ Meet requirement of EN54-5:2017 & EN54-7:2018

## Installation



## Technical Specification

Model	AW-D138C-4W
Operating voltage	9~28VDC @ Zone
Operating current(@Zone 24VDC)	NO Standby current ≤ 120uA, Alarm current < 15mA NC Standby current ≤ 15mA, Alarm current < 5mA
Application	For indoor use only
Smoke alarm sensitivity	0.18~0.3dB/m
Fixed temperature alarm	57°C (135°F) A2R
Environmental	Temperature range: -10~50°C (14~122°F) Humidity: 5 to 95% RH, non-condensing
Alarm relay output capacity	500mA @DC30V
Materials and colors	ABS, White
Mating host	AW-CFP2166 series conventional fire alarm control panel
Size	φ 100mm* 55.7mm installed in base
Weight	About 115g